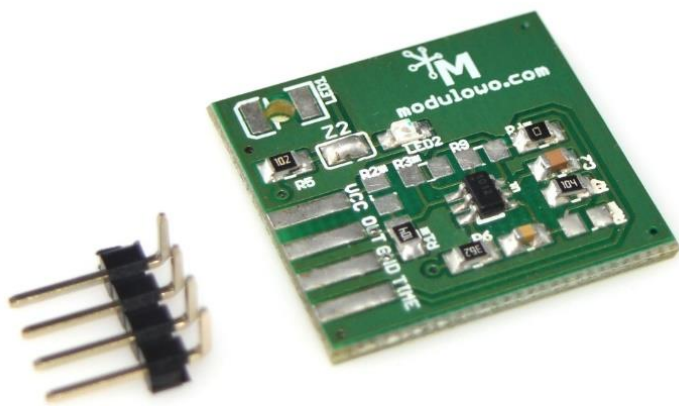


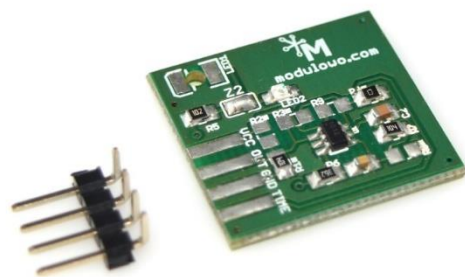
MOD - 21

Toggle Touch Sensor



Store: store.modulowo.com
Tutorials: academy.modulowo.com
Documentation and schematics: products.modulowo.com
Software and projects: app.modulowo.com
Blog: blog.modulowo.com

Modułowo sp. z o.o.
ul. Mokotowska 1,
00-640 Warsaw, POLAND
E-mail: info@modulowo.com



*Substitute a mechanical switch with a capacitive touch switch.
Its size is 22 mm x 23 mm only.*

The touch switch has a built-in AT42QT1012 capacitive touch sensor. You can easily replace the mechanical switch you use now. Upon detection of touch, the output changes its state to the opposite one. The switch can operate at the supply voltage range of up to 5.5 V. The switch also has the TIME pin, which can be used for additional features of the AT42QT1012 integrated circuit.

Note! The built-in LED can indicate the status of the switch output. To show the status the Z2 jumper must be closed.

The switch has a double-sided tape from the side of the touch field for easy installation.

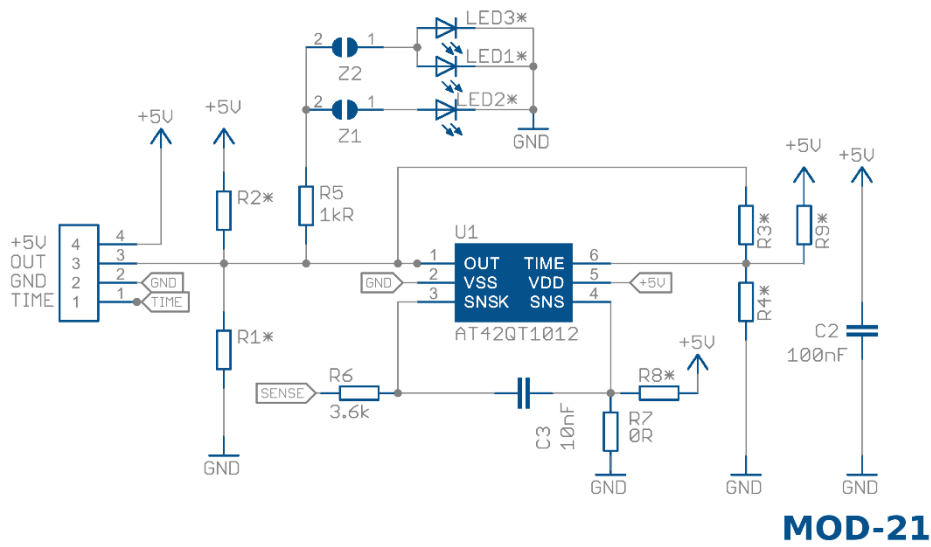
Specifications:

Code and Product Name	MOD-21 Toggle Touch Sensor
Integrated Circuit	AT42QT1012
Output pins	4-pin (VCC, OUT, GND, TIME)
Power	+ 1.8 V do + 5.5 V
LED Indication	yes, Z2 jumper activated
Dimensions	22 mm x 23 mm
Additional Information	double-sided tape for easy installation

Your list of modules

Each module has a unique serial number. Go to www.modulowo.com/list, enter the serial number and add the module to your list. This will allow quick access to the documentation and software.

Schematic:



Pinouts:

