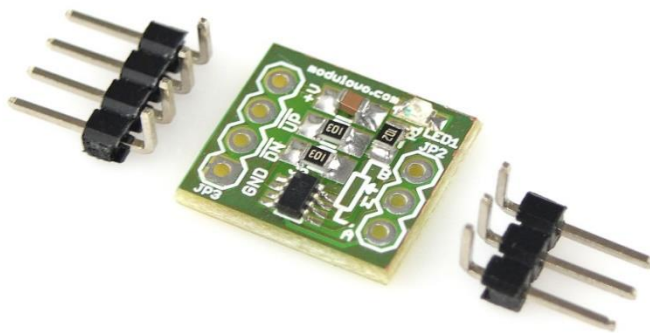


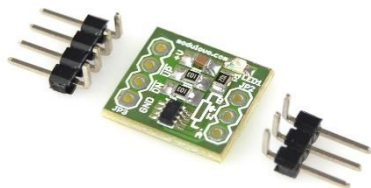
MOD - 19

Mini Digital Potentiometer 10kR



Store: [store.modulowo.com](https://store.modulowo.com)  
Tutorials: [academy.modulowo.com](https://academy.modulowo.com)  
Documentation and schematics: [products.modulowo.com](https://products.modulowo.com)  
Software and projects: [app.modulowo.com](https://app.modulowo.com)  
Blog: [blog.modulowo.com](https://blog.modulowo.com)

**Modułowo sp. z o.o.**  
ul. Mokotowska 1,  
00-640 Warsaw, POLAND  
E-mail: [info@modulowo.com](mailto:info@modulowo.com)



*A miniature digital potentiometer enables the substitution of an analog potentiometer and control of the resistance value using two buttons.*

The module contains UP/DOWN button inputs (for the increasing or decreasing of the resistance) and leads compliant with the A, W, B analog potentiometer (a description can be found on the printed circuit board). The resistance is 10kR.

**Note!** It is important not to exceed the supply voltage when connecting module outputs.

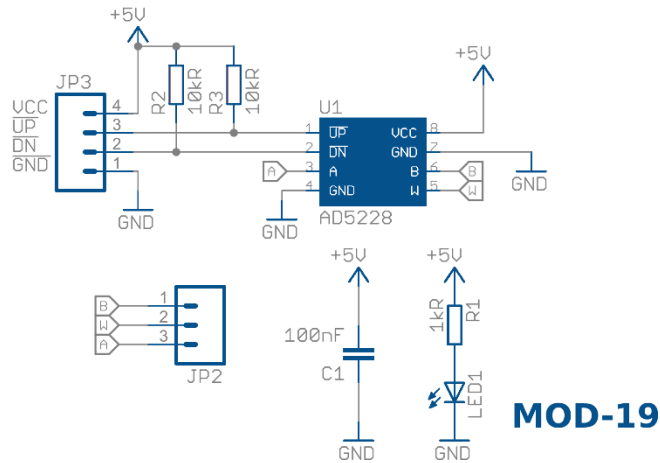
### Specifications:

<b>Code and Product Name</b>	<b>MOD-19 Mini Digital Potentiometer 10kR</b>
<b>Integrated Circuit</b>	AD5228 10kR
<b>Input Pins</b>	4-pin, +V, !UP, !DN, GND
<b>Output pins</b>	3-pin, B, W, A
<b>Power</b>	+ 2.7 V do + 5.5 V
<b>LED Indication</b>	YES
<b>Dimensions</b>	15 mm x 13 mm
<b>Configuration</b>	UP/DOWN for the resistance value control

### Your list of modules

Each module has a unique serial number. Go to [www.modulowo.com/list](http://www.modulowo.com/list), enter the serial number and add the module to your list. This will allow quick access to the documentation and software.

### Schematic:



### Pinouts:

