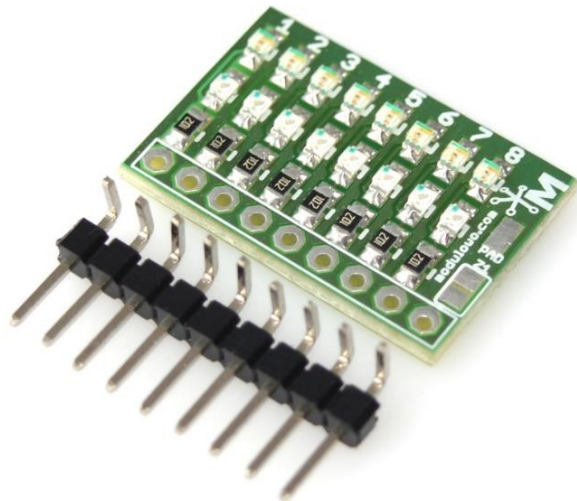


MOD - 18

8-channel Bi-Directional Logic Level LED Tester



Store: store.modulowo.com
Tutorials: academy.modulowo.com
Documentation and schematics: products.modulowo.com
Software and projects: app.modulowo.com
Blog: blog.modulowo.com

Modułowo sp. z o.o.
ul. Mokotowska 1,
00-640 Warsaw, POLAND
E-mail: info@modulowo.com



This module enables visual checking of the states on microcontroller leads or integrated circuit leads. In addition, in a simple and visual way you can check bit operations, such as logical shifts (left and right shifts), sum, product and so on.

The module has built-in two rows of LEDs so that the LEDs may light for the logical value "1" or "0". The last pin is the VREF reference voltage pin. If you want the LEDs to shine at the logical value "1" you need to connect the last lead to GND. If you want the LEDs to shine at the logical value of "0" you need to connect the last pin to "+V" voltage of the power supply.

The module tolerates voltages from +3V to +5V, depending on the value of the resistors mounted.

By default, the circuit is adapted to the voltage from +3V to +5V.

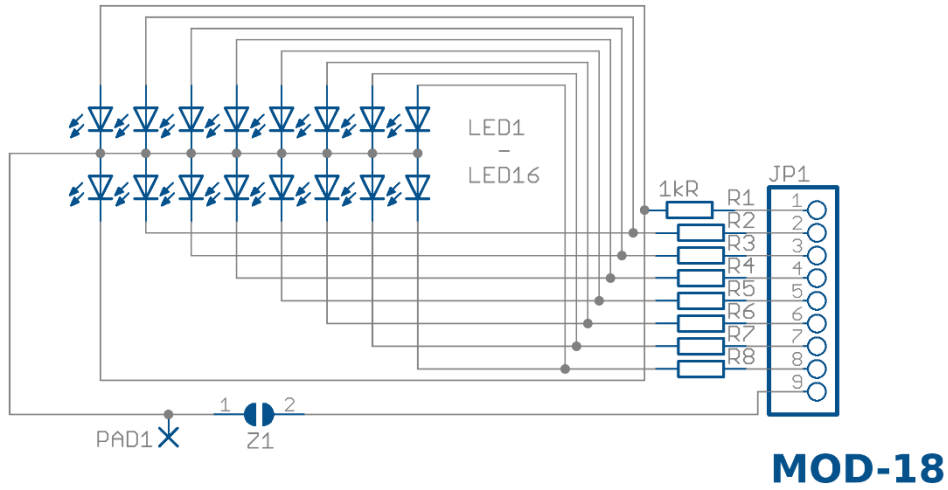
Specifications:

Code and Product Name	MOD-18 8-channel Bi-Directional Logic Level LED Tester
Output Pins	9-pin, fitted to the breadboard
Power	+3.3V to 5V
LED Indication	yes
Dimensions	23 mm x 15 mm
Configuration	1 pin or pad on the board can connect reference voltage GND or VCC+
Additional Information	16 LEDs built-in (8 LEDs for each "1" and "0" levels)

Your list of modules

Each module has a unique serial number. Go to www.modulowo.com/list, enter the serial number and add the module to your list. This will allow quick access to the documentation and software.

Schematic:



Pinouts:

