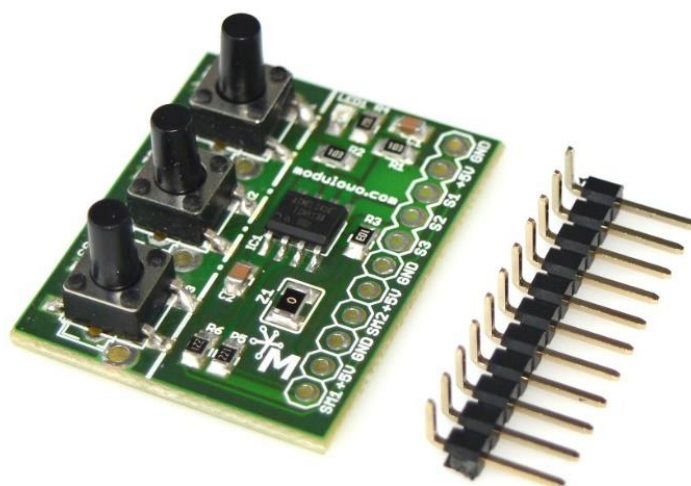


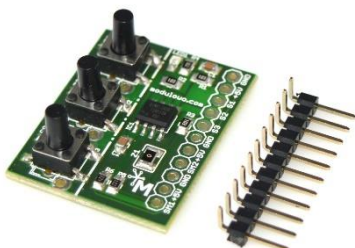
MOD - 17

2-channel Servo Driver Left/Right



Store: store.modulowo.com
Tutorials: academy.modulowo.com
Documentation and schematics: products.modulowo.com
Software and projects: app.modulowo.com
Blog: blog.modulowo.com

Modułowo sp. z o.o.
ul. Mokotowska 1,
00-640 Warsaw, POLAND
E-mail: info@modulowo.com



This controller enables independent control of two model servomechanisms using buttons or I/O signals. The leads are ideal for servo signals (SYG, +V, GND), so there is no need to use additional wires or adapters.

A jumper enables the supply of servomechanisms from the same or a separate source of power.

Each time you press SW3 (for a second servomechanism - SW2) the servo axis rotates by 180 degrees. Pressing SW1 button will turn both servomechanisms by 90 degrees – as a result they will be set in the center position. Control with S1-S3 is also possible. Inputs are activated by the low status, which is equivalent to pressing button.

Note: The controller works fine with servomechanism: Redox S90 and Tower Pro SG90, but it should also work with other servomechanism models.

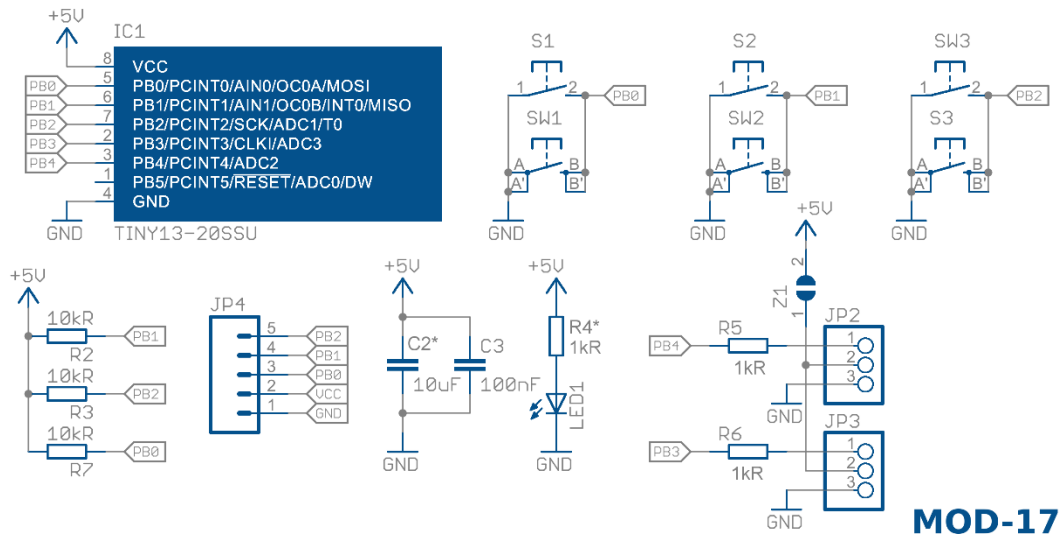
Specifications:

Code and Product Name	MOD-17 2-channel Servo Driver Left/Right
Integrated Circuit	ATtiny13
Input Pins	GND, +5V, S1, S2, S3
Output Pins	SM1, +5V, GND and SM2, +5V, GND
Power	+2.7 V to +5.0 V
LED Indication	yes
Configuration	Servomechanism Supply Voltage Select SMD Jumper
Dimensions	31 mm x 25 mm
Additional Information	if buttons are not to be used, don't need to be installed
	jumper enables the supply of servomechanisms from the same or a separate source of power

Your list of modules

Each module has a unique serial number. Go to www.modulowo.com/list, enter the serial number and add the module to your list. This will allow quick access to the documentation and software.

Schematic:



MOD-17

Pinouts:

