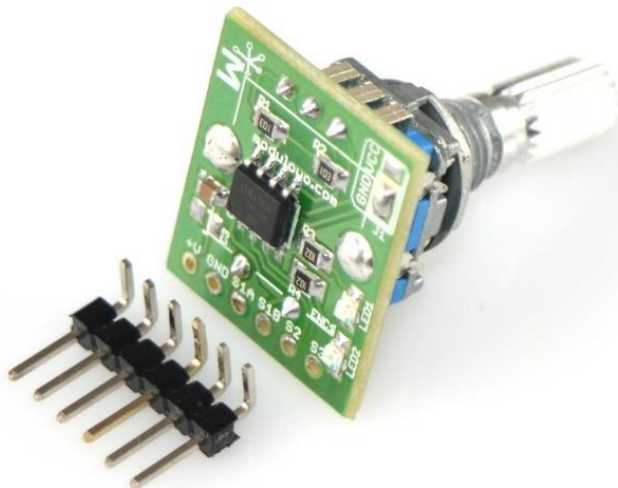


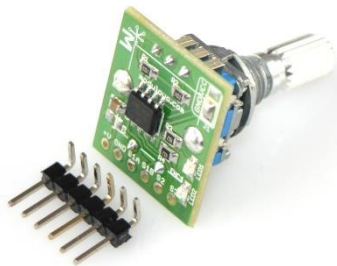
MOD - 16

Rotary Switch / Mechanical Encoder with Converter



Store: store.modulowo.com
Tutorials: academy.modulowo.com
Documentation and schematics: products.modulowo.com
Software and projects: app.modulowo.com
Blog: blog.modulowo.com

Modułowo sp. z o.o.
ul. Mokotowska 1,
00-640 Warszawa, POLAND
E-mail: info@modulowo.com



If you want to substitute two buttons with a rotary switch this module is for you. Thanks to the converter, the module sends high signals to S2 and S3 leads, depending on the direction of rotation. In addition, the module has a button which is built in the encoder axis so that the module can be used for, for instance, the use of the LCD menu in the constructed device. Two LEDs indicate turn to the right or left.

There is no need for an additional integrated circuit or microcontroller so as to read pulses from the encoder. The module has a built-in circuit – ATtiny13 microcontroller, making it possible to install your own software and perform additional functions.

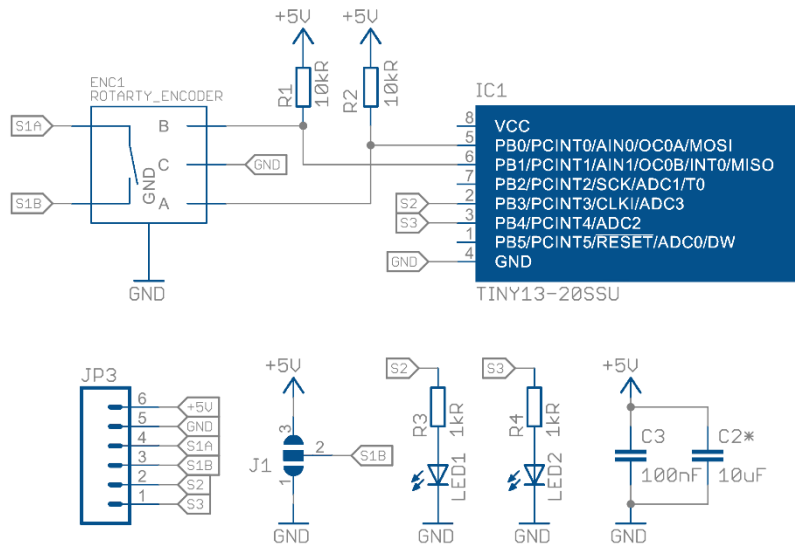
Specifications:

Code and Product Name	MOD-16 Rotary switch / Mechanical Encoder with converter
Integrated Circuit	ATtiny13
Output Pins	6-pin
Output Pins	+V, GND, S1A, S1B, S2, S3
Power	+2.7 V to +5.0 V
LED Indication	yes
Configuration	A jumper for the reference voltage selection for the switch built in the Encoder axis
Dimensions	22 mm x 19 mm
Additional Information	S1A, S1B leads – switch connectors built in the Encoder axis
	S2 and S3 leads – rotation signals in the high state after rotation (right/left)

Your list of modules

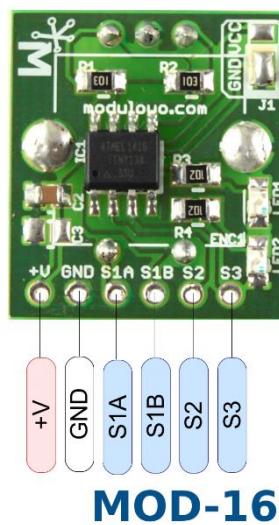
Each module has a unique serial number. Go to www.modulowo.com/list, enter the serial number and add the module to your list. This will allow quick access to the documentation and software.

Schematic:



MOD-16

Pinouts:



MOD-16