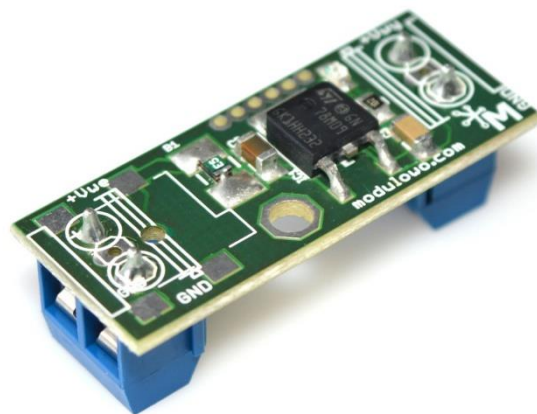




MOD – 06/9V

Breadboard Power Supply +9V

With 500mA Protection



Store: store.modulowo.com
Tutorials: academy.modulowo.com
Documentation and schematics: products.modulowo.com
Software and projects: app.modulowo.com
Blog: blog.modulowo.com

Modułowo sp. z o.o.
ul. Mokotowska 1,
00-640 Warsaw, POLAND
E-mail: info@modulowo.com

The module enables to stabilize the output voltage at the appropriate level . It can be supplied with voltage up to + 16V and the output voltage of + 9V .



Electronic devices require power supply of a specified voltage. The stabilizer is used to stabilize the output voltage at an appropriate

level and filter any interferences. The module can be supplied with a voltage of up to +16V. The output voltage is +9 V.



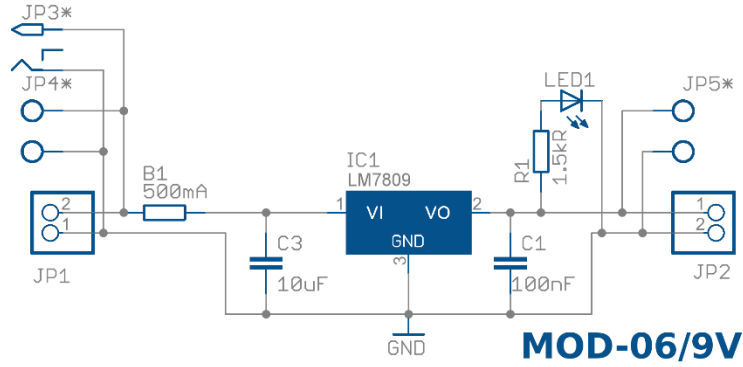
Specifications:

Code and Product Name	MOD-06/9V Breadboard Power Supply +9V With 500mA Protection
Integrated Circuit	LM7809
Protection	Polymer Fuse 500mA
Power	up to +16V
LED Indication	yes
Output Voltage	+9V
Dimensions	15 mm x 37 mm
Additional Information	In the case of larger load currents and a significant difference between the supply voltage and the output voltage you may need to use a radiator to dissipate heat

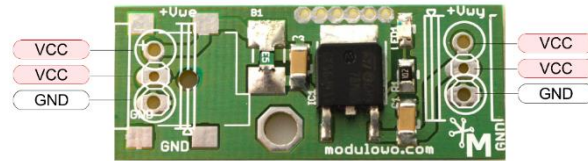
Your list of modules

Each module has a unique serial number. Go to www.modulowo.com/list, enter the serial number and add the module to your list. This will allow quick access to the documentation and software.

Schematic:



Pinouts:



MOD-06