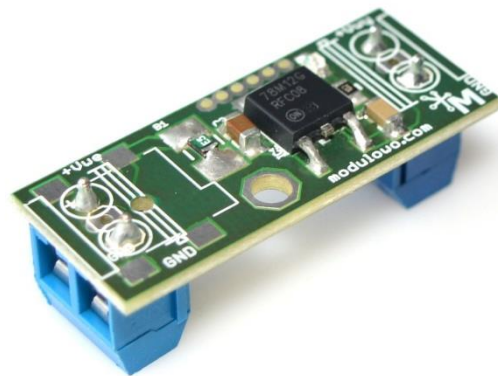




MOD – 06/12V

Breadboard Power Supply +12V

With 500mA Protection



Store: [store.modulowo.com](https://store.modulowo.com)  
Tutorials: [academy.modulowo.com](https://academy.modulowo.com)  
Documentation and schematics: [products.modulowo.com](https://products.modulowo.com)  
Software and projects: [app.modulowo.com](https://app.modulowo.com)  
Blog: [blog.modulowo.com](https://blog.modulowo.com)

**Modułowo sp. z o.o.**  
ul. Mokotowska 1,  
00-640 Warsaw, POLAND  
E-mail: [info@modulowo.com](mailto:info@modulowo.com)



*The module enables to stabilize the output voltage at the appropriate level . It can be supplied with voltage up to + 16V and the output voltage of + 12V .*

Electronic devices require power supply of a specified voltage.

The stabilizer is used to stabilize the output voltage at an appropriate level and filter any interferences. The module can be supplied with a voltage of up to +16V. The output voltage is + 12 V.



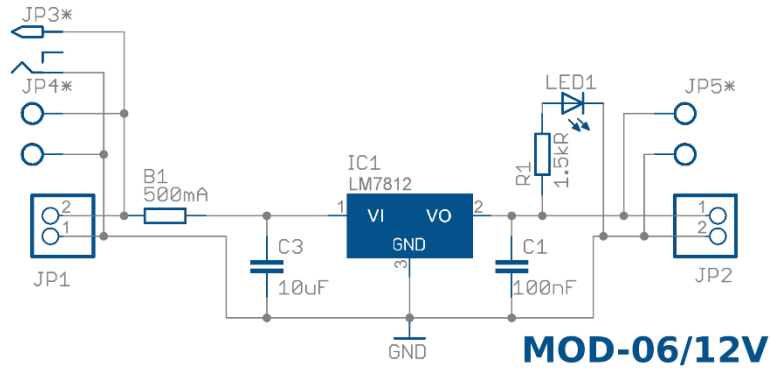
### Specifications:

<b>Code and Product Name</b>	<b>MOD-06/12V Breadboard Power Supply +12V With 500mA Protection</b>
<b>Integrated Circuit</b>	LM7812
<b>Protection</b>	Polymer Fuse 500mA
<b>Power</b>	up to +16V
<b>LED Indication</b>	yes
<b>Output Voltage</b>	+12V
<b>Dimensions</b>	15 mm x 37 mm
<b>Additional Information</b>	In the case of larger load currents and a significant difference between the supply voltage and the output voltage you may need to use a radiator to dissipate heat

### Your list of modules

Each module has a unique serial number. Go to [www.modulowo.com/list](http://www.modulowo.com/list), enter the serial number and add the module to your list. This will allow quick access to the documentation and software.

Schematic:



Pinouts:

