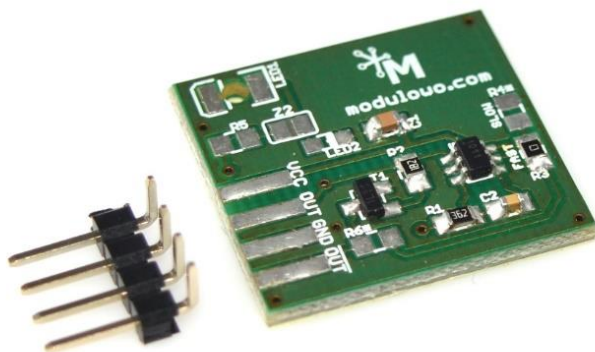




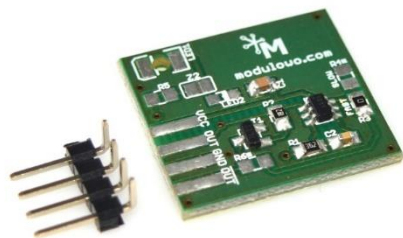
MOD - 25

Momentary Capacitive Touch Sensor



Store: store.modulowo.com
Tutorials: academy.modulowo.com
Documentation and schematics: products.modulowo.com
Software and projects: app.modulowo.com
Blog: blog.modulowo.com

Modułowo sp. z o.o.
ul. Mokotowska 1,
00-640 Warsaw, POLAND
E-mail: info@modulowo.com



Substitute a mechanical switch with a capacitive touch switch. The switch works also with the plexiglass with a thickness of 2-3 mm. Its size is 22 mm x 23 mm only.

The capacitive touch switch has a built-in AT42QT1011 sensor. You can easily replace the mechanical switch you use now, for example, the micro-switch. Upon detection of touch, the OUT output shows a high state. The switch also has a negated OUT output.

Note! The LED indicating the state of the switch output is not installed.

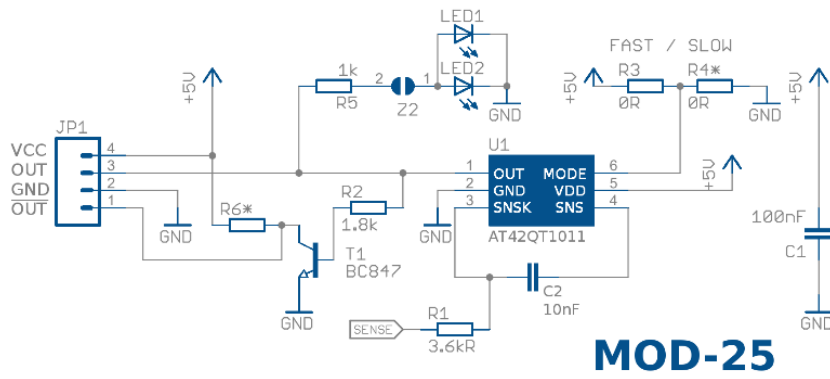
Specifications:

Code and Product Name	MOD-25 Momentary Capacitive Touch Sensor
Integrated Circuit	AT42QT1011
Output pins	4-pin (VCC, OUT, GND, TIME)
Power	+ 1.8 V do + 5.5 V
LED Indication	no, there is a place for the LED
Dimensions	22 mm x 23 mm
Configuration	FAST/SLOW mode jumper selection
Additional Information	double-sided tape for easy installation

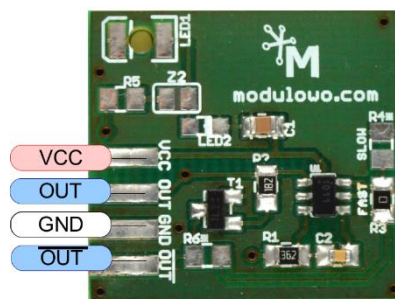
Your list of modules

Each module has a unique serial number. Go to www.modulowo.com/list, enter the serial number and add the module to your list. This will allow quick access to the documentation and software.

Schematic:



Pinouts:



MOD-25