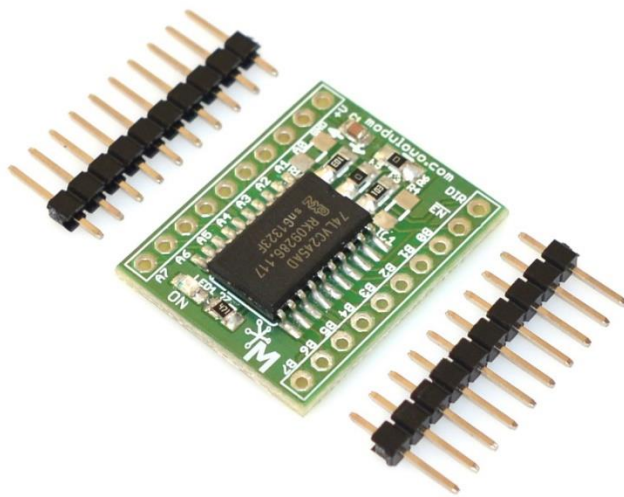


## MOD - 12

8-channel Bi-Directional Logic Level Converter 5V/3.3V



Store: [store.modulowo.com](https://store.modulowo.com)  
Tutorials: [academy.modulowo.com](https://academy.modulowo.com)  
Documentation and schematics: [products.modulowo.com](https://products.modulowo.com)  
Software and projects: [app.modulowo.com](https://app.modulowo.com)  
Blog: [blog.modulowo.com](https://blog.modulowo.com)

**Modułowo sp. z o.o.**  
ul. Mokotowska 1,  
00-640 Warsaw, POLAND  
E-mail: [info@modulowo.com](mailto:info@modulowo.com)



*This module is ideal for the connection to circuits operating at different supply voltages. Up to 8 channels and the bi-directional work mode allow you to change the output into the input using a jumper or DIR input without disconnecting the circuit.*

The maximum supply voltage is 3.3V, but the system can tolerate input voltages (signals) of up to 5.5V. The module is also equipped with the ENABLE input, so you can disconnect signals at any time. The module may operate as a buffer. It is possible to install a short-circuit protection system.

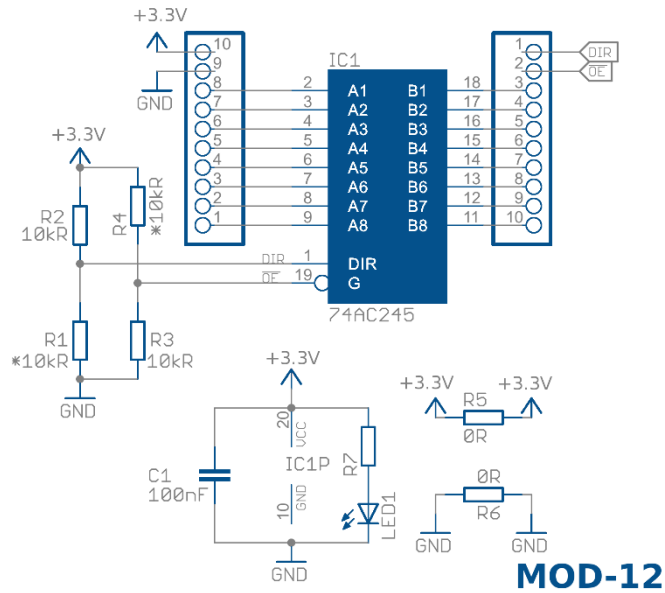
### Specifications:

<b>Code and Product Name</b>	<b>MOD-12 8-channel Bi-Directional Logic Level Converter 5V/3.3V</b>
<b>Integrated Circuit</b>	74LVC245AD
<b>Configuration</b>	DIR jumper to select the direction of work
<b>Power</b>	+1.2 V to +3.3 V
<b>LED Indication</b>	yes
<b>Dimensions</b>	27 mm x 22 mm
<b>Additional Information</b>	tolerates + 3.3 / 5V Supply Voltage
	SMD pads for Polymer Fuse (not mounted)

### Your list of modules

Each module has a unique serial number. Go to [www.modulowo.com/list](http://www.modulowo.com/list), enter the serial number and add the module to your list. This will allow quick access to the documentation and software.

## Schematic:



## Pinouts:

