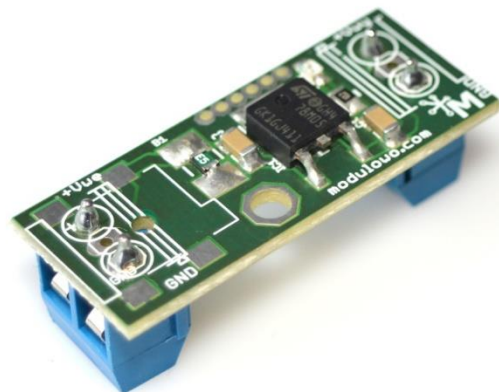




MOD – 06/5V

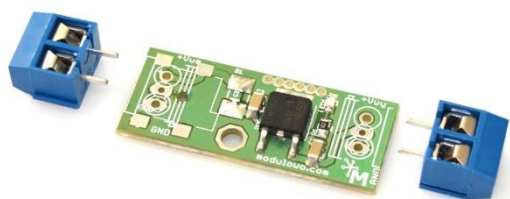
Breadboard Power Supply +5V

With 500mA Protection



Store: store.modulowo.com
Tutorials: academy.modulowo.com
Documentation and schematics: products.modulowo.com
Software and projects: app.modulowo.com
Blog: blog.modulowo.com

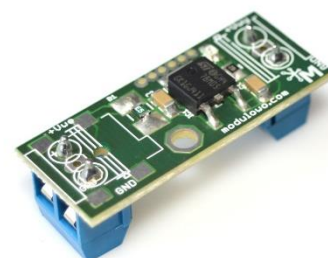
Modułowo sp. z o.o.
ul. Mokotowska 1,
00-640 Warsaw, POLAND
E-mail: info@modulowo.com



The module enables to stabilize the output voltage at the appropriate level . It can be supplied with voltage up to + 16V and the output voltage of + 5V .

Electronic devices require power supply of a specified voltage. The stabilizer is used to stabilize the output voltage at an appropriate level and filter any interferences. The module can be supplied with a voltage of up to +16V. The output voltage is +5 V.

For example, if you have a power supply of +14V and a connected voltage stabilizer, you will get +5V at its output (other voltage values available too), which can be used to supply the microcontroller.



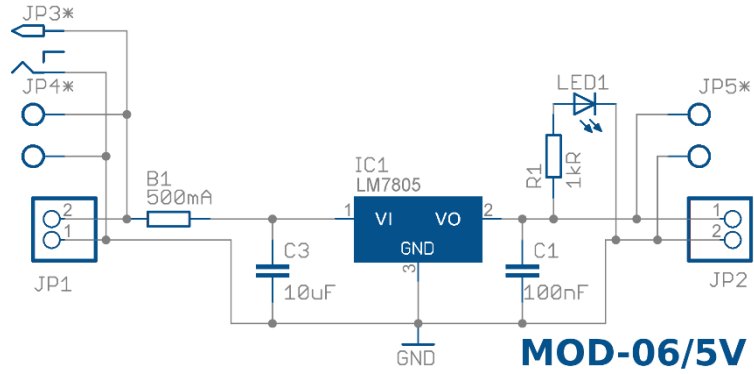
Specifications:

Code and Product Name	MOD-06/5V Breadboard Power Supply +5V With 500mA Protection
Integrated Circuit	LM7805
Protection	Polymer Fuse 500mA
Power	Up to +16V
LED Indication	yes
Output Voltage	+5V
Dimensions	15 mm x 37 mm
Additional Information	In the case of larger load currents and a significant difference between the supply voltage and the output voltage you may need to use a radiator to dissipate heat

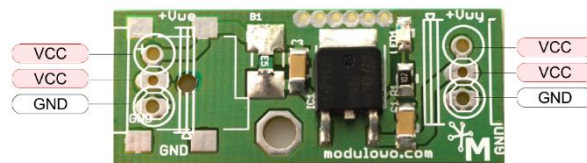
Your list of modules

Each module has a unique serial number. Go to www.modulowo.com/list, enter the serial number and add the module to your list. This will allow quick access to the documentation and software.

Schematic:



Pinouts:



MOD-06