

MOD - 03

Relay Control Module



Store: [store.modulowo.com](https://store.modulowo.com)  
Tutorials: [academy.modulowo.com](https://academy.modulowo.com)  
Documentation and schematics: [products.modulowo.com](https://products.modulowo.com)  
Software and projects: [app.modulowo.com](https://app.modulowo.com)  
Blog: [blog.modulowo.com](https://blog.modulowo.com)

**Modułowo sp. z o.o.**  
ul. Mokotowska 1,  
00-640 Warsaw, POLAND, EU  
E-mail: [info@modulowo.com](mailto:info@modulowo.com)



*The relays are electronically controlled switches. The module is used to turn on or turn off the circuit working with another voltage or current, than the control system.*

For example, you can control the LED strip (+ 12V supply voltage), using the + 5V Signal from the microcontroller.

**Note! For safety reasons, we recommend connecting to Relay Output, +12V, 3A max.**

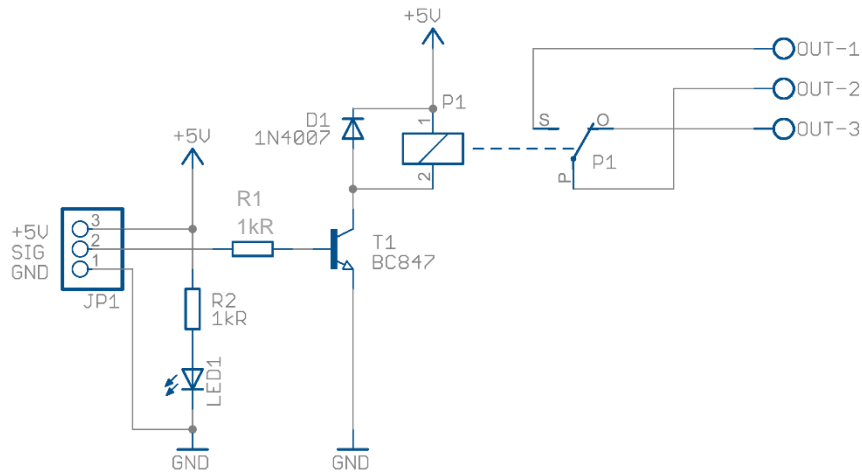
### Specification:

<b>Code and Product Name</b>	<b>MOD-03 Relay Control Module</b>
<b>Protection</b>	Polymer Fuse 500mA
<b>Input Pins</b>	1 x 3 pin, VCC, SIG, GND
<b>Output Pins</b>	Relay Switch pins
<b>Power</b>	+5V
<b>Switching Output</b>	max. +12V, 3A
<b>LED Indication</b>	Yes (for Power Supply)
<b>Dimensions</b>	17 mm x 40 mm
<b>Additional Information</b>	For safety reasons, we recommend connecting to Relay Output, +12V, 3A max.

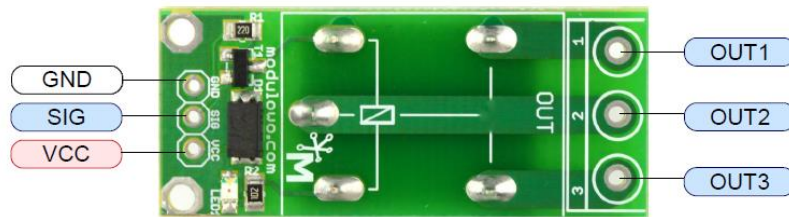
## Your list of modules

Each module has a unique serial number. Go to [www.modulowo.com/list](http://www.modulowo.com/list), enter the serial number and add the module to your list. This will allow quick access to the documentation and software.

### Schematic:



### Pinouts:



### Example:

**VCC** – +5V Power, **SIG** – Input Signal

